

Name \_\_\_\_\_ Date \_\_\_\_\_ Class \_\_\_\_\_  
 Ch. 5 Energy • Review and Reinforce pp. 151-155

## Forms of Energy

### Understanding Main Ideas

Answer the following questions in the space provided.

1. How can you determine an object's mechanical energy?

---



---



---



---

2. Name two forms of energy associated with the particles that make up objects.

---

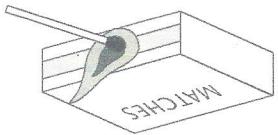
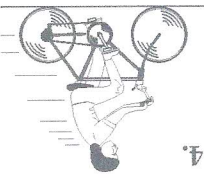
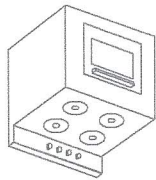
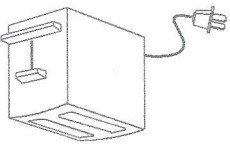
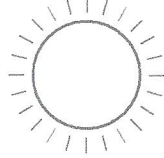
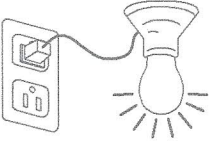


---

### Building Vocabulary

Match each illustration with the correct form(s) of energy by writing the letter or letters of the form(s) of energy on the line at the left.

- a. mechanical energy
- b. electrical energy
- c. thermal energy
- d. nuclear energy
- e. chemical energy
- f. electromagnetic energy

	<p>8. _____</p>
	<p>4. _____</p>
	<p>3. _____</p>
	<p>5. _____</p>
	<p>7. _____</p>
	<p>6. _____</p>